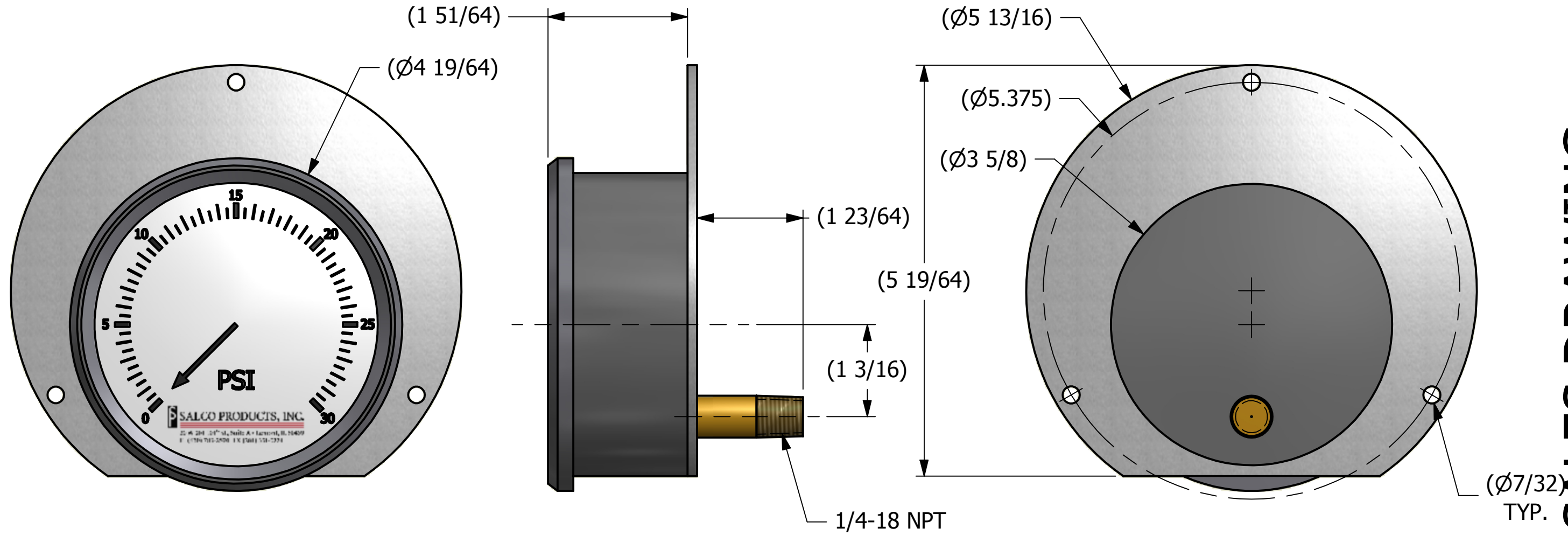


SALES DRAWING

SALES DRAWING



A	PJG	12-29-09	NEW PART ADDED TO SYSTEM
REV	BY	DATE	DESCRIPTION

UNLESS OTHERWISE SPECIFIED DIMENSIONAL TOLERANCES	DRAWN BY:	PJG
FRACTIONAL: $\pm 1/16$	CHECKED BY:	
X.XX: $\pm .03$	PROTOTYPE BY:	PJG
X.XXX: $\pm .015$	PROTOTYPE DATE:	9/21/2009
ANGULAR: $\pm 1^\circ$	APPROVED FOR PRODUCTION BY:	PJG
THIS PRINT, PROPERTY OF SALCO PRODUCTS INC., CONTAINS PROPRIETARY INFORMATION AND MUST NOT BE COPIED, REPRODUCED, OR USED DETRIMENTALLY TO OUR INTEREST.	PRODUCTION DATE:	11/11/2009
THIRD ANGLE PROJECTION		

SALCO PRODUCTS, INC.

PART NAME: **PRESSURE GAUGE 0-30 PSI**

MATERIAL: **GLYCERIN FILLED STAINLESS STEEL**

PROJECT #: **090908** SHEET #: **1 OF 1** SCALE: **3:4**

DRAWING #: **B27515** PART #: **PD4LFGFB**

B

B

A

A

4

3

2

1

4

3

2

1